

GIBSON HAWK PARTS LIST

PART	DESCRIPTION	SCHEMATIC REFERENCE	PART NUMBER
Assembly	Reverberation Unit Complete	997-003564
Assembly	Reverb Tremolo Footswitch	997-012520
Capacitor	Electrolytic 1 MFD 6VDC	945-011468-1
Capacitor	Electrolytic 10 MFD 15 VDC	945-011468-2
Capacitor	Electrolytic 5 MFD 6VDC	945-011468-3
Capacitor	Electrolytic 100 MFD 25V	945-011468-4
Capacitor	Elect. 40-20-20 MFD 350V	945-011469
Capacitor	Mylar .001 MFD 400 VDC	946-003566-102
Capacitor	Mylar .01 MFD 400V	946-003566-103
Capacitor	Mylar .0047 MFD 400 VDC	946-003566-472
Capacitor	Mylar .047 MFD 600V	946-003567-473
Capacitor	Mylar .1 MFD 100 VDC	946-011463-104
Capacitor	Mylar .2 MFD 100 VDC	946-011463-204
Capacitor	Mylar .022 MFD 200V	946-011465-223
Capacitor	Mylar .033 MFD 200V	946-011465-333
Capacitor	Mylar .0047 MFD 200V	946-011466-472
Capacitor	Mylar 330 PF 200V	946-011490-331
Cord	A. C. Line	989-003518
Diode	Duo SA-1045	D1, 2	919-003516
Fuse	1 Amp. 3 AG Slo-Blo	939-013304-2
Holder	Fuse	906-006303
Jack	Input (3T)	#1	910-010078
Jack	Input (2T)	#2	910-010078
Knob	Control	915-011459
Pilot Light		939-003533-1
Plug	Phono	910-003589
Plug	4 Prong	P&S1	910-003576
Potentiometer	500K Reverb Control (A)	VR3	925-003562
Potentiometer	1 Meg Tone Cont. Switch (A)	VR1	925-011461
Potentiometer	1 Meg Volume Control (SP.L)	VR2	925-011460
Potentiometer	500K Tremolo Control (RA)	VR4	925-011462
Shell	4 Prong Plug	P&S1	978-003577
Socket	Footswitch	906-003575
Socket	9 Pin Wafer Tube	906-005797
Socket	9 Pin Bakelite Tube	906-006498
Speaker	10"	985-003563
Switch	Reverb & Tremolo Foot	960-003574
Transformer	Reverb Driver	T2	955-003555
Transformer	Output TF-508-0	T3	955-003694
Transformer	Power TF-113-B-P	T1	990-003570
Tube	6BQ5	V4, 5	954-011407
Tube	12AX7	V1-3	990-003571

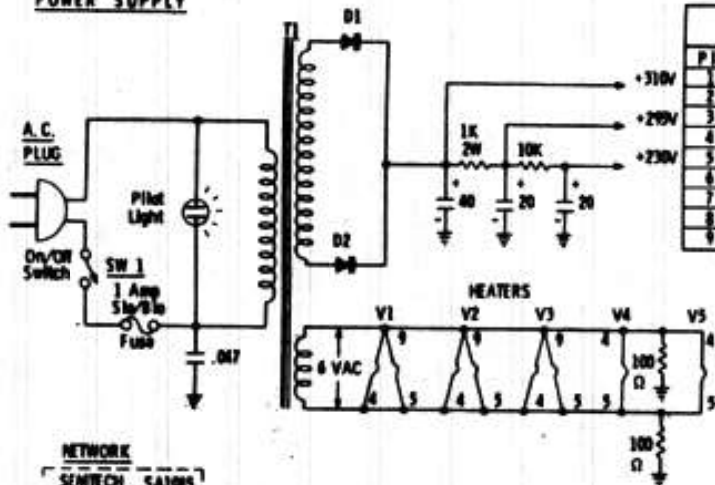


 **Gibson**

HAWK AMPLIFIER



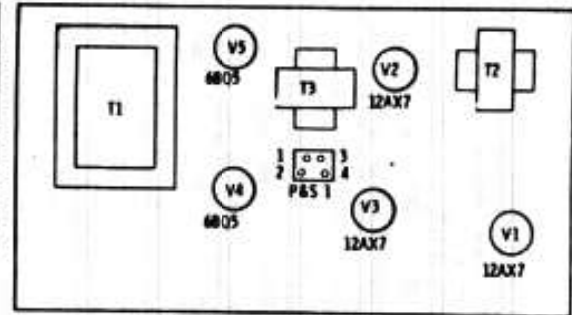
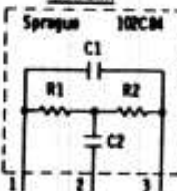
POWER SUPPLY



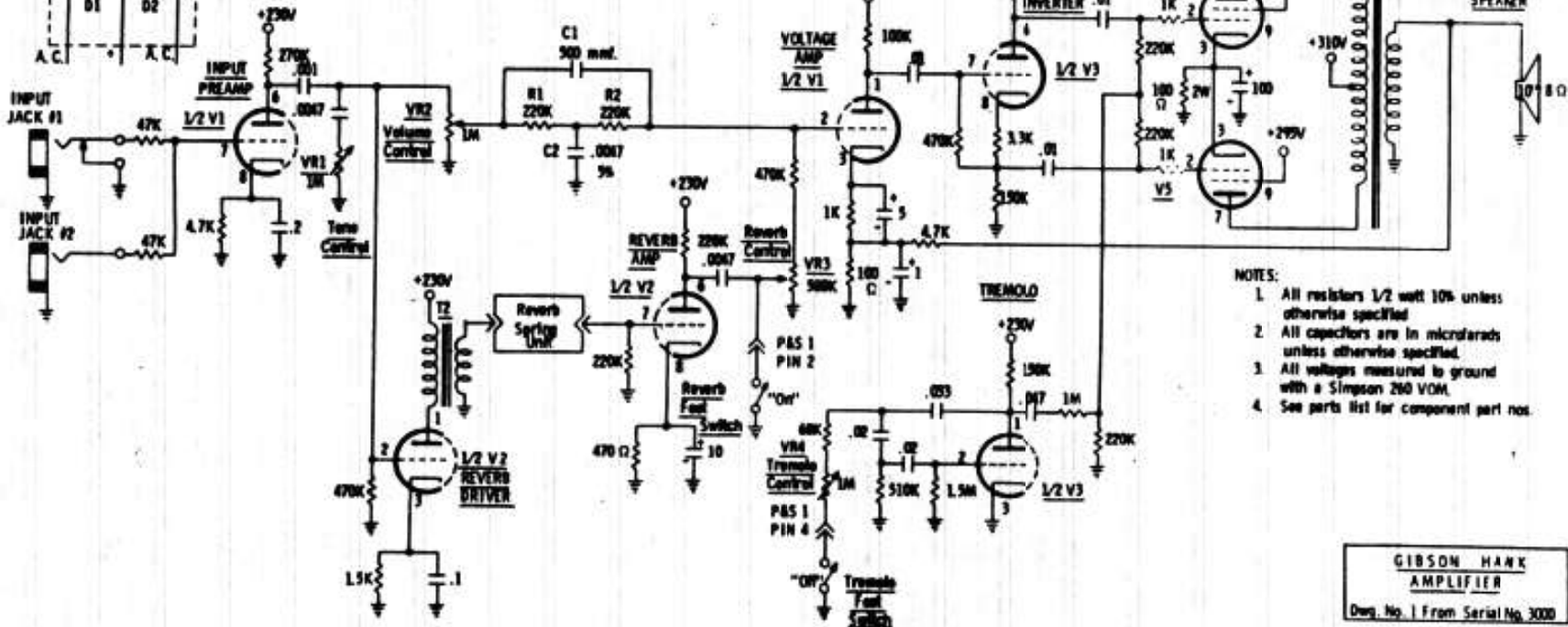
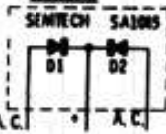
VOLTAGE CHART

PIN	V1	V2	V3	V4	V5
1	+1.4V	+230V	+1.65V	-	-
2	0	0	-1V	0	0
3	+0.9V	+1.4V	0	+0.15V	+0.15V
4	Heater	Heater	Heater	Heater	Heater
5	Heater	Heater	Heater	Heater	Heater
6	+1.50V	+0.9V	+1.8V	-	-
7	0	0	-0.5V	+299V	+299V
8	+1.5V	+0.4V	+0.5V	-	-
9	Heater	Heater	Heater	+299V	+299V

NETWORK



NETWORK



NOTES:

1. All resistors 1/2 watt 10% unless otherwise specified.
2. All capacitors are in microfarads unless otherwise specified.
3. All voltages measured to ground with a Simpson 200 VOM.
4. See parts list for component part nos.

**GIBSON HANK
AMPLIFIER**
Dwg. No. 1 From Serial No. 3000