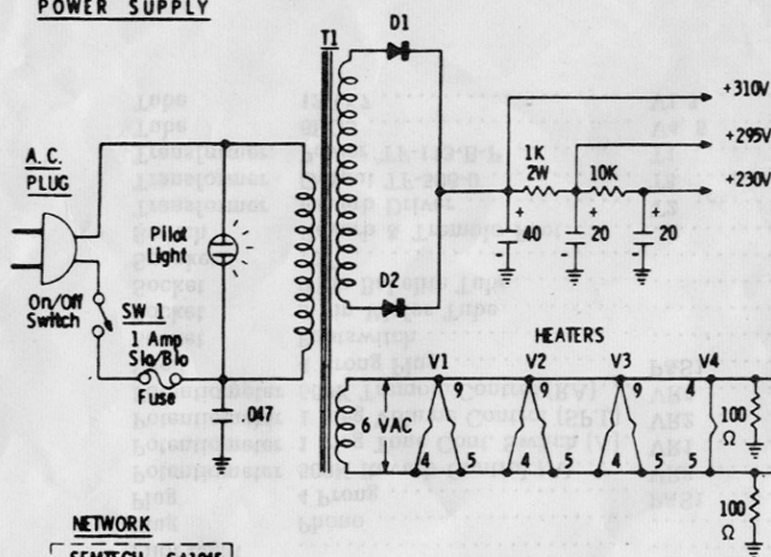
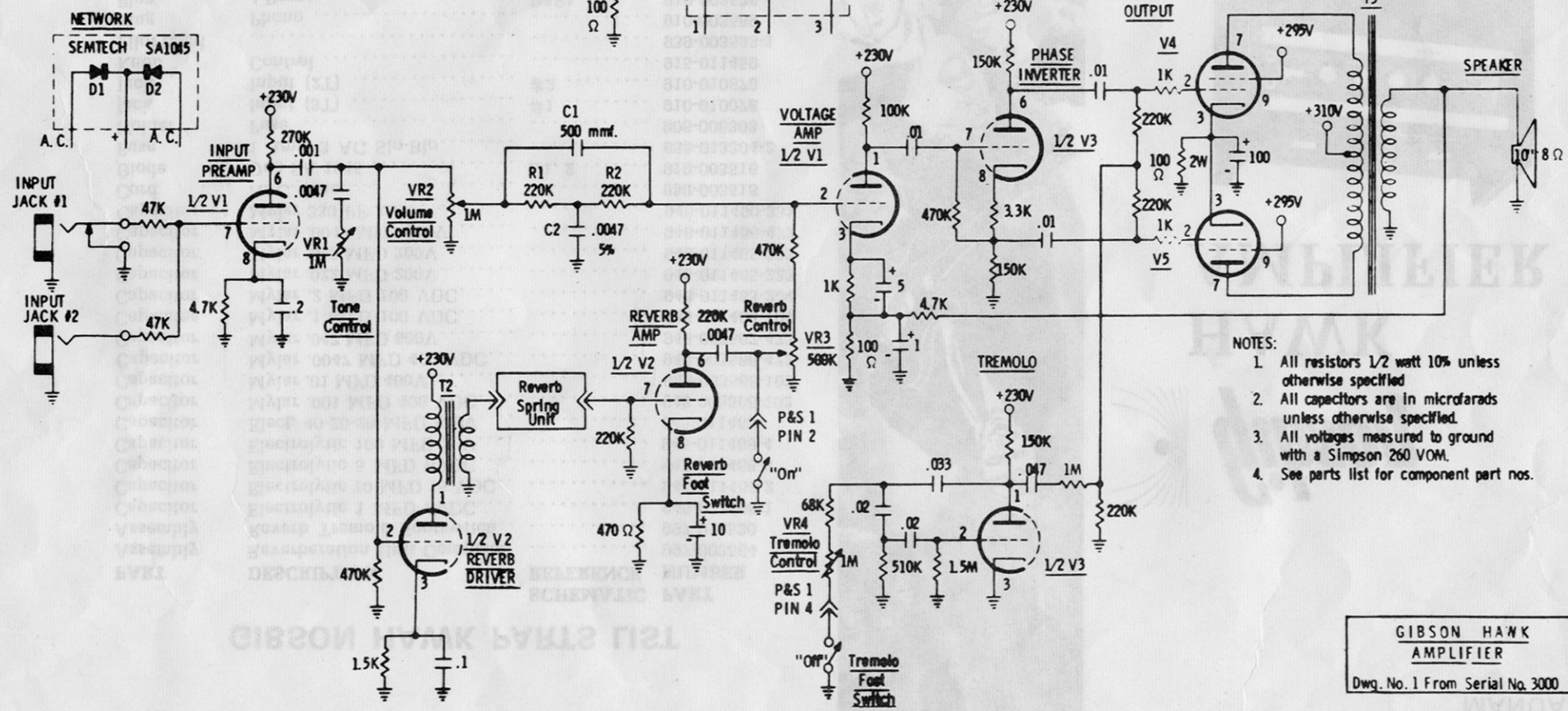
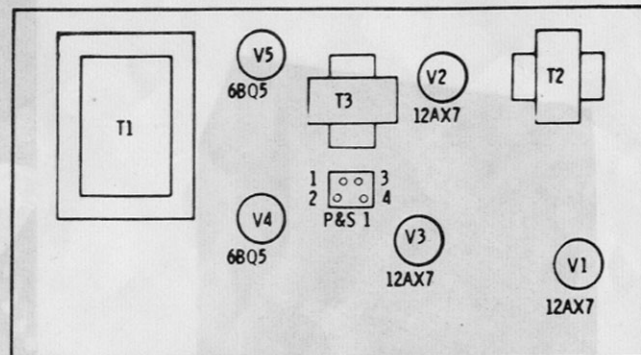
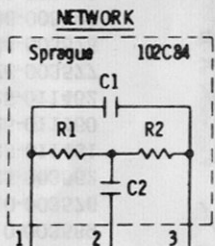


POWER SUPPLY



VOLTAGE CHART

PIN	V1	V2	V3	V4	V5
1	+146V	+230V	+165V	-	-
2	0	0	-.1V	0	0
3	+.95V	+1.4V	0	+9.15V	+9.15V
4	Heater	Heater	Heater	Heater	Heater
5	Heater	Heater	Heater	Heater	Heater
6	+158V	+65V	+192V	-	-
7	0	0	+.3V	+295V	+295V
8	+1.5V	+.45V	+52V	-	-
9	Heater	Heater	Heater	+295V	+295V



- NOTES:**
1. All resistors 1/2 watt 10% unless otherwise specified
 2. All capacitors are in microfarads unless otherwise specified.
 3. All voltages measured to ground with a Simpson 260 VOM.
 4. See parts list for component part nos.

**GIBSON HAWK
AMPLIFIER**
Dwg. No. 1 From Serial No. 3000